

Description

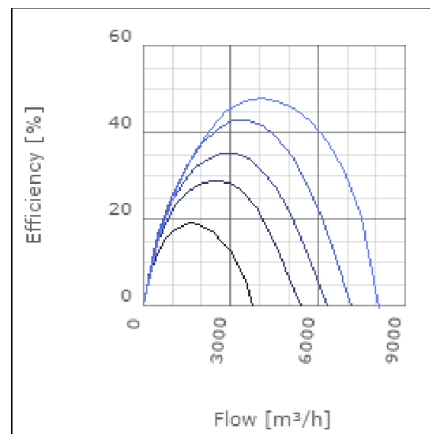
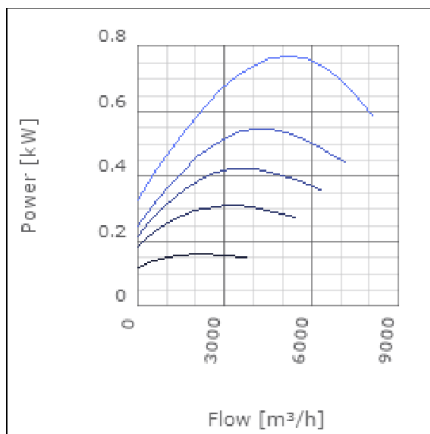
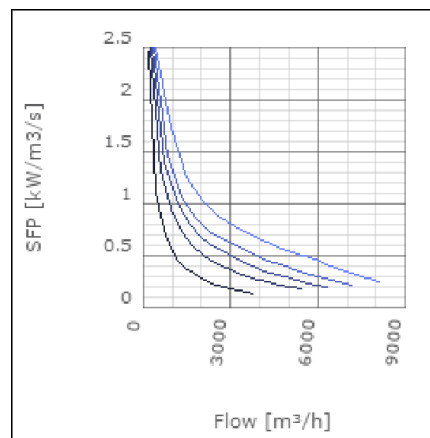
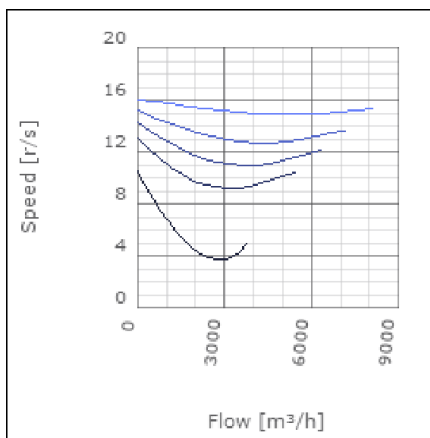
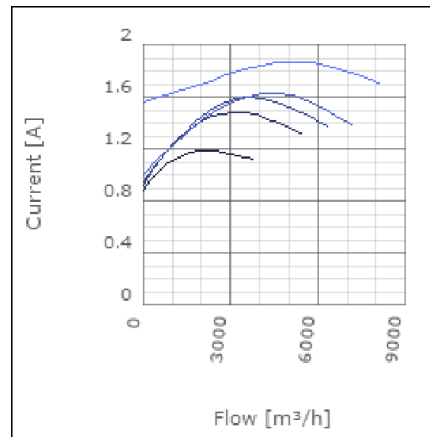
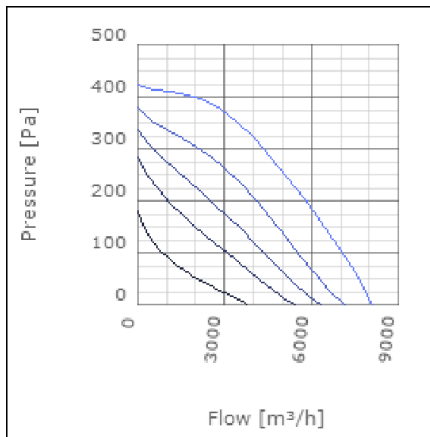
RKBI is an insulated centrifugal duct fan with connections for rectangular ducts. The fan have a rigid housing of galvanised steel and are compact with high capacity. With the 50 mm high quality insulation it operates quiet and the surface of the insulation is easy to clean. RKBI is available in 16 capacities. The backward curved impeller gives a better efficiency over a very big working area than the forward curved impeller. The fan is designed to cope with high pressures i.e. long ducts with a minimum of noise. The motor is speed-controllable from 0-100% and maintenance-free, why the only service required is cleaning the impeller. Motor with impeller can be swung out for inspection and cleaning (swing-out). The RKBI fan is supplied fully-wired and ready to fit in a sealed installation unit. It is moisture-proof and approved for use in warm or cold environments. All fans are fitted with a built-in thermal protector.



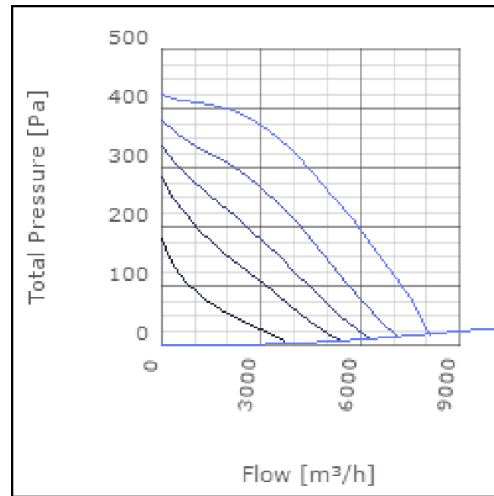
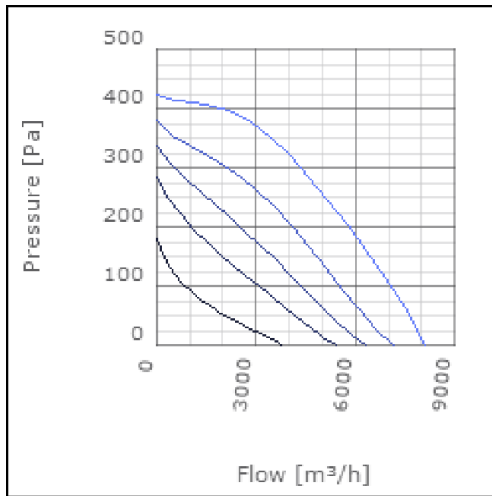
Technical data

Parameter	Value	Unit
Voltage	400	V
Phase	3	~
Frequency	50	Hz
Power	0.78	kW
Current	1.88	A
R.p.m.	15	r/s
Max. temperature of transported air	85	°C
Max. temperature of transported air when speed-controlled	85	°C
Sound pressure level at 3 m	51	dB(A)
Length	942	mm
Width	907	mm
Height	649	mm
Weight	87.5	kg
Enclosure class, motor	44	IP
Insulation class, motor	F	
Duct connection	800x500 mm	

Diagrams



Sound



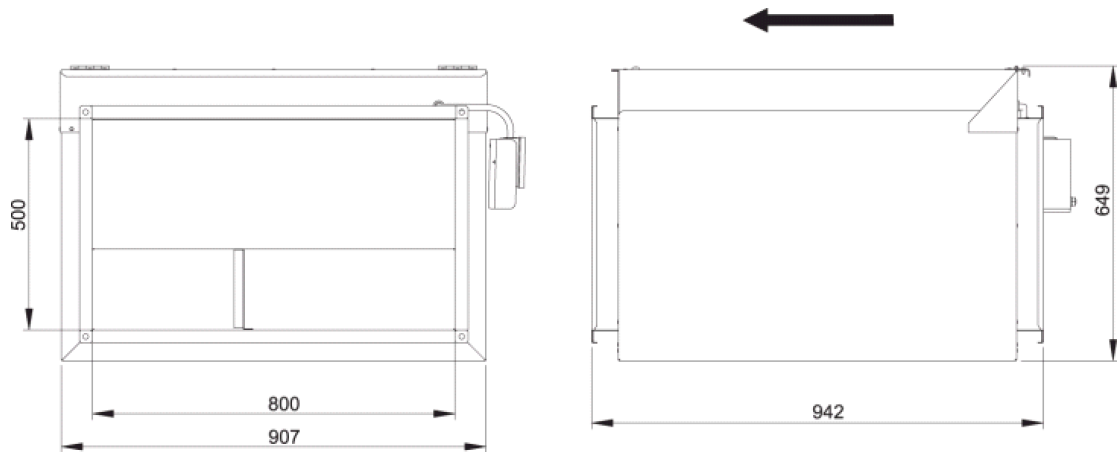
	Tot	63	125	250	500	1k	2k	4k	8k
Inlet	-	-	-	-	-	-	-	-	-
Outlet	-	-	-	-	-	-	-	-	-
Surrounding	-	-	-	-	-	-	-	-	-
Surrounding	-	-	-	-	-	-	-	-	-

An empty grid for plotting sound pressure level data. The y-axis ranges from 0 to 120, and the x-axis labels are Tot, 63, 125, 250, 500, 1k, 2k, 4k, 8k.

Parameter

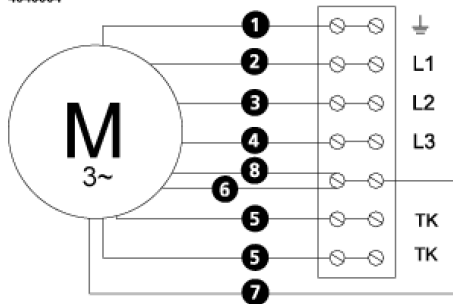
Distance: 3.000
 Propagation type: Hemi-spherical
 Equivalent absorption area: 20.00

Dimensions



Wiring diagram

4040004



- (M) = Fan Motor
- (M1) = Fan Motor
- (M2) = Fan Motor
- (M3) = Rotor Motor
- 1 = Yellow/Green
- 2 = Black
- 3 = Blue
- 4 = Brown
- 5 = White (TW)
- 6 = Orange
- 7 = Grey
- 8 = Red
- 9 = Green
- 10 = Violet

Accessories

VRDT 2
VRTT 2

Electrical accessories

FLR 800x500
DS 800x500
LDR 800x500